

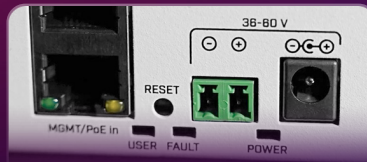


# CRS504-4XQ-IN

Your most affordable, compact, energy-efficient doorway to the world of **100 Gigabit networking**.  
The next step in upgrading existing 10 or 25 Gigabit networks.



16X25 GIGABIT MARVELL  
PRESTERA SWITCH CHIP



MULTIPLE POWERING OPTIONS:  
POE-IN, DC JACK, 2-PIN TERMINAL



DUAL HOT-SWAP POWER SUPPLIES



COMPATIBLE WITH 40G, 25G, 10G,  
AND 1G FIBER CONNECTIONS



4X 100 GIGABIT QSFP28 PORTS



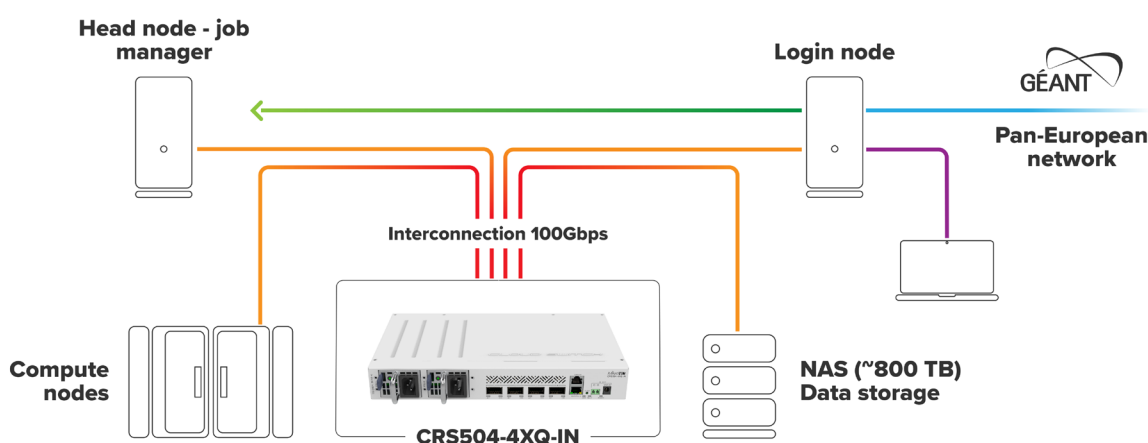
USES 25W OF POWER

Our 100 Gigabit family keeps expanding – you’ve already seen the incredible CCR2216 100 Gigabit router. Now it’s time for a matching switch – the CRS504-4XQ-IN. The small size combined with the low power consumption (25W without attachments!) is perfect to start expanding 100 Gigabit networking in everyday setups. This speed is no longer limited to data centers, ISPs, and large offices. You too can upgrade your 10 or 25 Gigabit network and join the one hundred club!



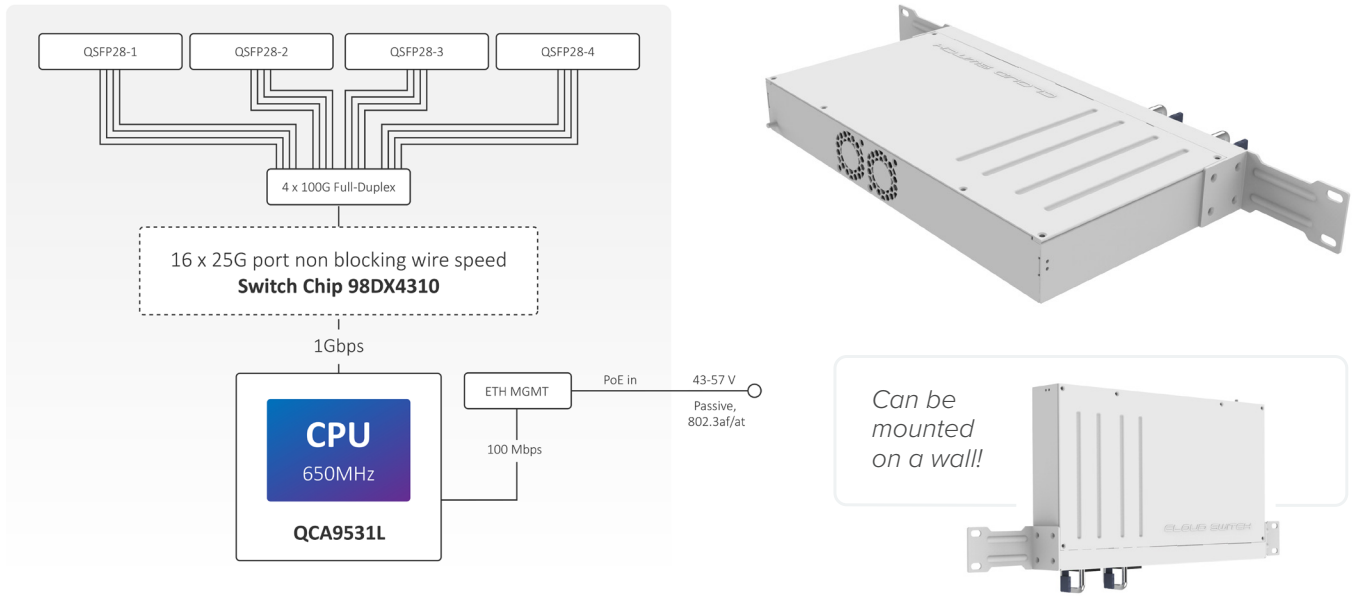
There are **four 100 Gigabit QSFP28 ports**. Use them to connect other 100 Gigabit devices or grab a breakout cable to connect multiple 25 Gigabit devices: each port is connected to four 25 Gigabit lines, allowing you to connect 16 x 25 Gigabit devices. In fact, you can mix and match all kinds of connections this way: 100 Gigabits on one port, 40 Gigabits on the other, 4x25 Gigabits on the third, and maybe even some 10G or 1G cables on the fourth. Obviously, there is an Ethernet port for management purposes as well.

We’ve been using this switch for quite some time now in the Genomics Data Network project. A high-capacity data network for our local scientists working on ground-breaking cancer treatments. Genome data can take up a lot of space, so you need exceptionally fast connections there. Also, with these devices, Latvia became the first Baltic country to establish a 100 Gigabit connection to the pan-European research network.



The cost-effective and fast way to build truly high-speed infrastructures.

This router supports a wide input voltage range, including 48v DC power - perfect for all your telecom setups!



## • Specifications

Product code	CRS504-4XQ-IN
CPU	QCA9531 650 MHz
CPU architecture	MIPSBE
CPU core count	1
Size of RAM	64 MB
Storage	16 MB, Flash
Number of 100Mbit Ethernet ports	1
Number of 100G QSFP28 ports	4
Switch chip model	98DX4310
Dimensions	320 x 185 x 44 mm
Operating system	RouterOS v7, License level 5
Operating temperature	-40°C to +70°C

## • Powering

Number of DC inputs	3 (PoE-in, DC jack, 2-pin terminal)
PoE-in input Voltage	43-57 V
DC jack input Voltage	36-57 V
2-pin terminal input Voltage	36-57 V
Max power consumption without attachments	25 W
Max power consumption	41 W

## • Included parts



•  
2 Power  
cords



•  
Fastening  
set



•  
Rack ears